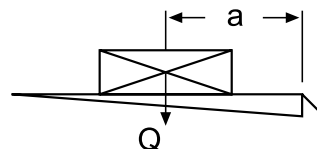




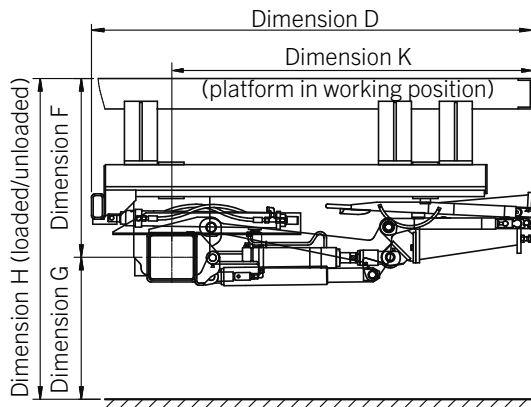
- ≧ 1,500 kg lifting capacity with four cylinders and 1,000 mm load distance
- ≧ Simple-fold platform
- ≧ Modular, boltable design for adaptation to a wide range of vehicle types
- ≧ All-aluminium or steel/aluminium platform design
- ≧ Spring-supported folding part
- ≧ Platform housing serves as underride guard
- ≧ Bridging projection for espagnolettes
- ≧ Powerful moving cylinder for horizontal positioning of the tail lift
- ≧ Optimal adaptation to motor vehicles and trailers thanks to a wide range of different lifting arm lengths and pitches
- ≧ Moving rails in steel as standard, optionally available in aluminium
- ≧ Optionally available completely pre-assembled with energy chain

LOAD DIAGRAM

a (mm)	Q (kg)
1,000	1,500
1,200	1,250
1,500	1,000
1,850	800



THE RETRACTABLE TAIL LIFT WITH 1,500 KG LIFTING CAPACITY



WEIGHTS

Aluminium/aluminium
platform type

Platform width (mm) 2,400

Platform height (mm)

1,805 665 kg

WEIGHTS

Steel/aluminium
platform type

Platform width (mm) 2,400

Platform height (mm)

1,800 770 kg

DIMENSIONS

Lifting arm lengths (mm)	700	800	900	1,000	1,100
H (max.) loading height, unloaded	1,200	1,428	1,548	1,651	1,793
H (min.) loading height, loaded	883	916	1,006	950	1,023
F (max.) middle of main beam to upper edge of loading floor	650	817	924	977	1,056
K (min.) at dimension F (max.)	618	601	623	721	783
D (min.) installation dimension, minimum	1,800	1,800	1,900	1,900	2,000
F (min.)	508	566	614	569	608
K (max.) at dimension F (min.)	726	820	907	1,040	1,132
G (max.) unloaded (middle of main beam to ground)	550	611	624	674	737
G (min.) loaded	375	350	392	381	415
E (max.) vehicle frame width (max.)	920	920	920	920	920
E (min.) vehicle frame width (min.)	645	645	645	645	645

TECHNICAL DATA

Type	MBB R 1500 S
Lifting capacity	1,500 kg
Main beam	180 x 180 mm
Lifting gear hydraulics	2 lifting cylinders / 2 tilting cylinders / 1 moving cylinder
Lifting arm pitch	750/1,300/1,480 mm
Load centre, longitudinal	1,000 mm
Load centre, across centre	Central, 50% of rated load on one side
Inclination angle of the platform	+10° to -10°

