

# MBB C 1500 L

**PALFINGER**

LIFETIME EXCELLENCE

## THE EFFICIENT AND FUNCTIONALLY TAIL LIFT WITH 1500 KG CAPACITY - A CLASS OF ITS OWN



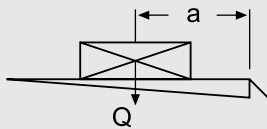
# MBB C 1500 L

## THE CANTILEVER LIFT

### MBB C 1500 L

- 1500 kg lifting capacity at 600 mm load centre
- Robust 4-cylinder configuration
- Available with aluminum or steel platform
- Lightweight

### DIAGRAM



MBB C 1500 L	
a (mm)	Q (kg)
600	1500
720	1250
900	1000
1200	750

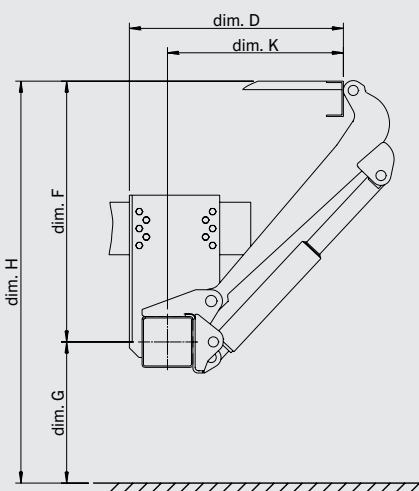
### WEIGHT

Platform type	depth (mm)	width (mm)	weight (kg)
Alum.	1550	2500	390
	1700	2500	398
	1825	2500	404
	1950	2500	410
	2050	2500	415
	2200	2500	423
Steel	1509	2500	528
	1809	2500	568
	2109	2500	608

### TECHNICAL DATA

	MBB C 1500 L
Lifting capacity	1500 kg
Main beam	180 x 180 mm
Lifting gear hydraulics	2 x lift cylinder 2 x tilt cylinder
Platform overlap with floor	- 57 mm
Lift arm pitch	1310 mm
Load centre - longitudinal	600 mm
Load centre - lateral	50 % of the full load on one side
Inclination angle of the platform	+90° to - 10°

### DIMENSIONS



Lift arms (in mm)	700	800	900
H (max.) loading height unloaded	1256	1409	1546
H (min.) loading height loaded	906	922	998
F (max.) middle of main beam to upper edge of loading floor	728	811	894
K (min.) at dimension F (max.)	515	571	627
D (min.) installation space (min.)	665	721	777
F (min.)	529	572	625
K (max.) at dimension F (min.)	710	801	886
D (max.) installation space (max.)	860	951	1036

**PALFINGER Tail Lifts GmbH**  
 Fockestraße 53  
 27777 Ganderkesee  
 Deutschland  
[www.palfinger.com](http://www.palfinger.com)

