



HOOK LOADERS

20 TONS
SWING & TELESCOPIC



Cab Control



Cabin Roller



Rear Roller



Cabin Lock

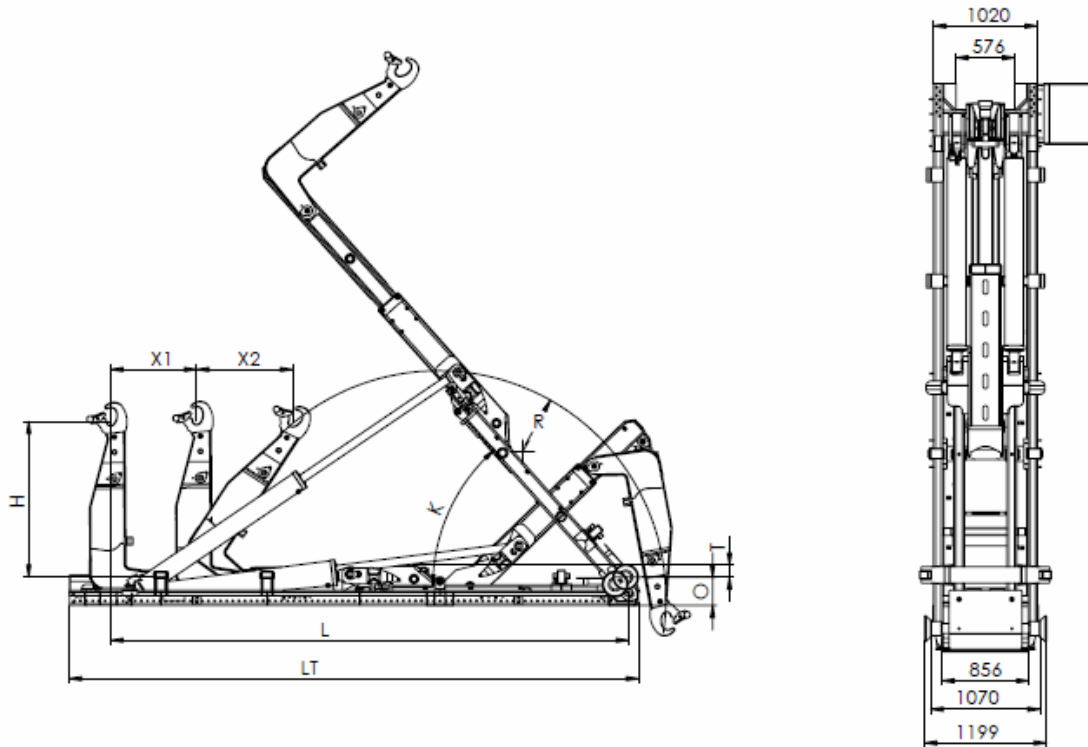


Tipping Lock



Cabin Lock Sensor

Vehicular Solutions Specialist



Model:	MT20-48-ST	MT20-51-ST	MT20-53-ST	MT20-56-ST	MT20-58-ST
X (mm)	900 +950	1100 +950	1100 +950	1200 +950	1200 +950
L (mm)	4800	5100	5300	5600	5800
LT (mm)	5300	5600	5800	6200	6800
R (mm)	2210	2210	2300	2350	2400
O (mm)	280	280	280	280	280
H (mm)	1570	1570	1570	1570	1570
K (degrees)	50°	48°	48°	48°	48°
T (mm)	130	130	130	130	130
WEIGHT (kg)	2650	2750	2850	2900	3100
LOADING (s)	48	50	52	52	55
UNLOADING (s)	43	45	47	47	50

Exclusive Distributor:

Ng Wah Hong Enterprises Pte Ltd
52, Defu Lane 9, Singapore 539292
Tel: 6487 1491 Fax: 6487 1493
Website: www.nwh.com.sg



Ng Wah Hong Enterprises Pte Ltd
400 North Bridge Road, Singapore 070102
Tel: 6487 1491 Fax: 6487 1493
E: info@nwh.com.sg



Cert No: IB-2014-113-H

